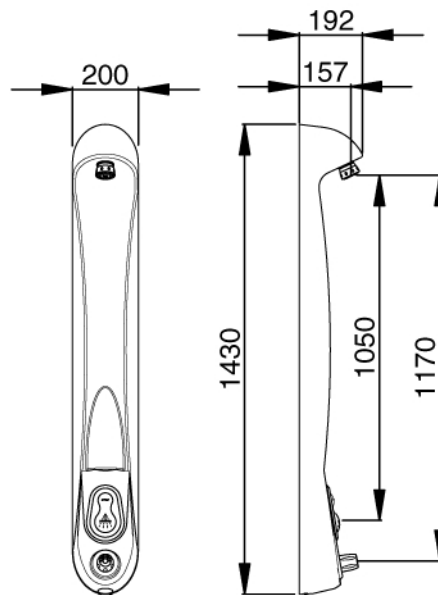


# TECHNICAL DATA SHEET

**PRESTO®**

**Range :** Timed flow mixer tap for shower

**Ref :** 27812 - PRESTO DL 800 S®



**> Working pressure :**

- 1 to 5 bar

**> Flow :**

- 6 l/min with integrated flow limiter
- Anti-water-hammering design
- Fixed shower head with anti-limescale spikes

**> Flow time :**

- 60 seconds (Adjustable from 40 to 60 s)
- Start/Stop function

**> Hydraulic supply :**

- G 1/2" (15x21) rear water inlet
- With self-closing tap EN 816 and thermostatic mixing valve EN 1111 (Check valves NF)

**> Material :**

- 9001 RAL white ABS/PC thermoformed resin
- Brass body and components with molded chrome treatment

**> Thermal resistance :**

- Resistant to a temperature of 75°C for 30 minute thermal shock

**> Security :**

- Anti-scald system: flow is immediately stopped if the cold water is cut off

**> Delivered with :**

- 1/2" hoses with revolving nuts
- MM G 1/2" (15x21) Stop valves and filters (250 micron)
- Soap dish
- Fastening screw
- Instruction manual

**> Standards & approvals :**

- Brass body in accordance with EN 1982, EN 12164, EN 12165
- Molded chrome-plated body in accordance with EN 12540
- 200-hour neutral salt spray resistant (NSS) in accordance with ISO 9227

